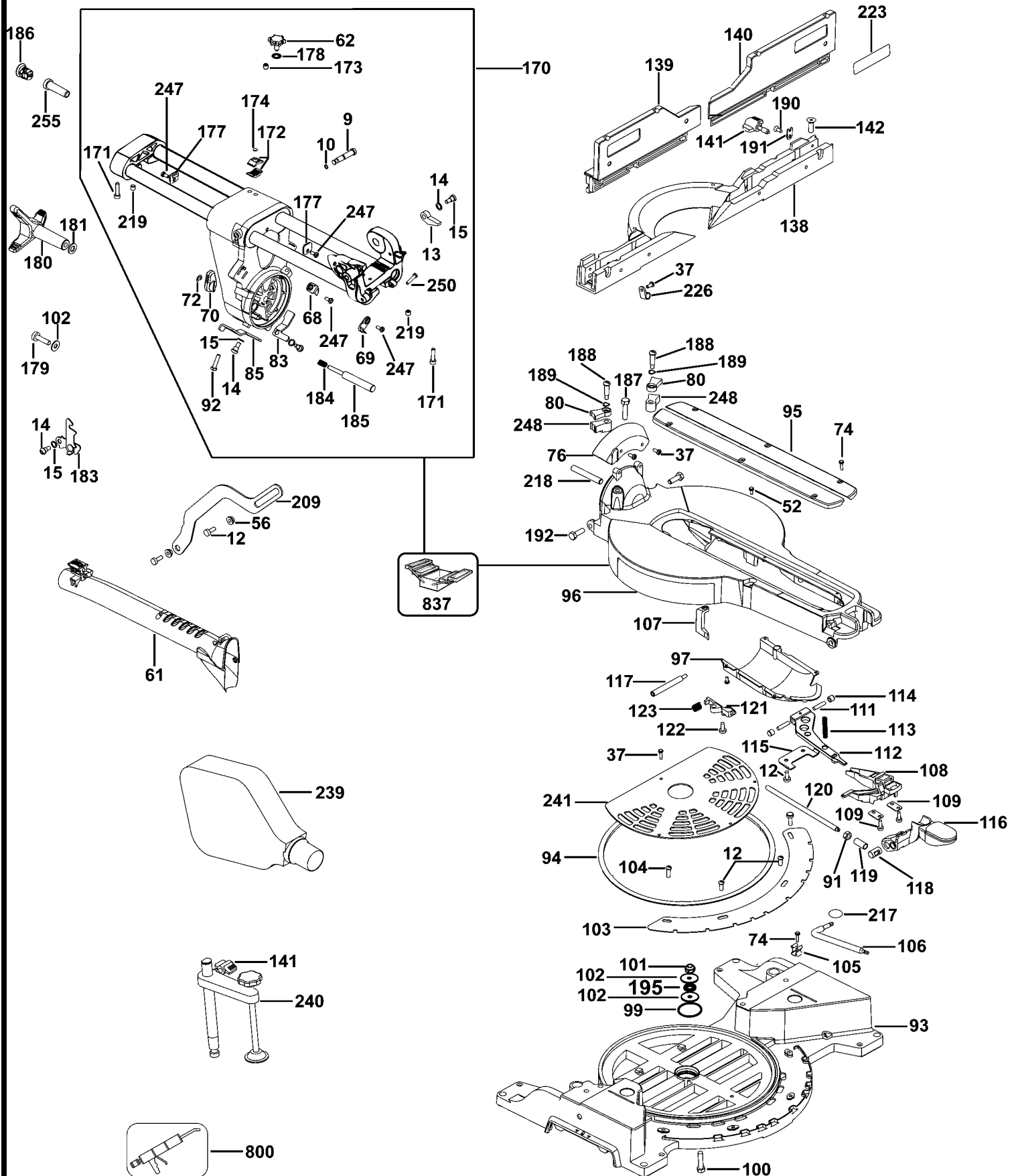




# DWS780 Table MITRE SAW 10



## Parts List DWS780 MITRE SAW 10

Item	Part Number	Qty	Part Description	General Description	Other Info	Repair Inst	Markets
1	N121002	1	ARM			No	QS
2	618193-00	1	BELT COVER			No	QS
3	330045-14	5	SCREW			No	QS
4	146751-00	1	SHAFT			No	QS
5	146732-00	2	SPACER			No	QS
6	N039404	1	SPRING			No	QS
7	150075-00	2	SCREW			Yes	QS
8	148296-00	2	WASHER			No	QS
9	387130-00	1	LOCKING PIN			No	QS
10	34158-00	1	SEAL			No	QS
11	N058304	1	GUARD REAR			No	QS
12	330045-23	6	SCREW			Yes	QS
13	153603-01	1	PAWL			No	QS
14	153639-00	1	SCREW			No	QS
15	153655-00	1	WASHER			No	QS
16	N185664	1	SCREW			No	QS
17	150718-00	1	NUT WING			Yes	QS
18	N515802	1	LED & POWER SUPPLY KIT			No	QS
19	385915-01	4	SCREW			No	QS
20	618198-00	1	SCREW			Yes	QS
23	647776-00	1	BLADE BOLT			Yes	QS
24	604765-00	1	CLAMP OUTER			No	QS
26	N081035	1	WASHER INNER CLAMP			No	QS
28	N086159	1	SPINDLE & GEAR SA			No	QS
29	330003-66	1	BEARING,BALL			No	QS
30	391616-00	1	BEARING NEEDLE			No	QS
31	NA135793	1	SPINDLE & GEAR SA			No	QS
32	605040-59	1	BEARING			No	QS
33	605040-33	1	BEARING			Yes	QS
35	860079-03	1	CIRCLIP			No	QS
36	618244-00	1	RETAINING PLATE			No	QS
37	330045-49	4	SCREW			No	QS

## Parts List DWS780 MITRE SAW 10

Item	Part Number	Qty	Part Description	General Description	Other Info	Repair Inst	Markets
38	391310-00	1	BEARING PLATE			No	QS
40	N105443	1	PULLEY SA			No	QS
44	653809-01	1	GEARCASE			No	QS
45	391315-00	1	GASKET			No	QS
47	N453995	1	BELT			No	QS
48	N101475	1	REPAIR KIT			Yes	QS
49	153561-00	1	LOCKING PIN			No	QS
50	448176-00	1	SPRING			No	QS
51	393071-00	1	PLATE			No	QS
52	330045-45	4	SCREW			No	QS
53	153559-00	1	WASHER			No	QS
56	146740-00	2	SLEEVE			No	QS
57	330045-55	2	SCREW			No	QS
60	330045-15	8	SCREW		M5 X 20	Yes	QS
61	N142121	1	DUST PORT			No	QS
62	N080677	1	KNOB	M8x1.0 THD		No	QS
68	N058308	1	POINTER			Yes	QS
69	N058309	1	POINTER			Yes	QS
70	N080199	1	KNOB			No	QS
72	60325-01	1	RING			No	QS
74	330045-06	9	SCREW			No	QS
76	N090294	1	BEVEL SCALE			No	QS
80	N043045	1	PAWL			No	QS
83	N049689	1	STOP RH			No	QS
85	N051519	1	STOP LH			No	QS
91	860083-14	1	NUT			No	QS
92	N058312	2	SCREW			No	QS
93	N695761	1	BASE			No	QS
94	N528183	1	PLATE			No	QS
95	N544383	1	PLATE			No	QS
96	N121001	1	TABLE SA			No	QS
97	N401778	1	COVER			No	QS

## Parts List DWS780 MITRE SAW 10

Item	Part Number	Qty	Part Description	General Description	Other Info	Repair Inst	Markets
98	330045-05	12	SCREW			No	QS
99	49787-00	1	O RING			No	QS
100	N058318	1	SCREW			No	QS
101	N074448	1	NUT			No	QS
102	153792-00	2	WASHER			No	QS
103	N059784	1	PLATE			Yes	QS
104	604410-00	4	SCREW			No	QS
105	391358-01	1	HOLDER			No	QS
106	N040940	1	WRENCH SPECIAL			No	QS
107	N057963	1	POINTER			Yes	QS
108	N050755	1	ACTUATOR			No	QS
109	N066280	2	PLATE			No	QS
111	618170-00	2	PIN			No	QS
112	N488468	1	DETENT			No	QS
113	618176-00	1	SPRING COMPRESSION			No	QS
114	093128-00	2	BEARING NEEDLE			No	QS
115	618254-00	1	RETAINER			No	QS
116	N082785	1	LEVER			No	QS
117	N057386	1	PIN			No	QS
118	624460-00	1	PIN			No	QS
119	624461-00	1	SLEEVE			No	QS
120	618186-00	1	ROD			No	QS
121	618185-00	1	BLOCK			No	QS
122	385915-03	1	SCREW			No	QS
123	618253-00	1	SPRING COMPRESSION			No	QS
124	N502790	1	HANDLE SA			No	QS
125	330045-18	4	SCREW			No	QS
126	330019-32	5	SCREW			No	QS
127	N515802	1	LED & POWER SUPPLY KIT			No	QS
128	N548978V	1	SWITCH			No	QS
129	384127-01	4	SCREW			No	QS
131	N029242	1	MOTOR CABLE			No	QS

## Parts List DWS780 MITRE SAW 10

Item	Part Number	Qty	Part Description	General Description	Other Info	Repair Inst	Markets
132	330120-23	1	CORDSET	EURO		No	QS
133	N083060	1	HANDLE			No	QS
134	330019-22	1	SCREW	M5.74x32		No	QS
135	398443-00	1	CABLE CLAMP			No	QS
137	N030322	1	COVER			No	QS
138	N598637	1	FENCE			No	QS
139	N032324	1	FENCE LH			No	QS
140	N032326	1	FENCE RH			No	QS
141	147107-02	2	KNOB LOWER			No	QS
142	098105-03	5	SCREW			No	QS
143	391317-00	1	FIELD CASE			No	QS
144	N093107	1	ARMATURE	230V	inc item 148	No	QS
145	869444-00	1	FIELD SA 230V		FROM	No	QS
145	869045-00	1	FIELD 230V		DCODE TO DCODE WK46 2016	No	QS
146	391282-00	1	MOUNTING BRACKET		WK46 2016	No	QS
147	394034-00	1	SCREW			No	QS
148	N004510	1	DRIVE PULLEY			Yes	QS
149	N110359	1	BEARING			No	QS
149	N110359	1	BEARING			No	QS
150	930098-00	1	RETAINER			No	QS
151	145312-00	1	PLUG			No	QS
152	98094-55	4	SCREW	M5 X 55mm T25		No	QS
153	391933-00	1	END CAP			No	QS
154	330019-13	4	SCREW	M4X19 T20		No	QS
155	330019-19	2	SCREW			No	QS
156	391375-00	1	BAFFLE FAN			No	QS
157	389512-01	1	BRUSH PLATE			No	QS
158	N625165	1	BRAND LABEL			No	QS
159	N417427	1	RATING PLATE			No	QS
160	153783-00	1	RING			No	QS
161	605155-00	1	BUSHING			No	QS
163	330019-12	1	SCREW			No	QS

## Parts List DWS780 MITRE SAW 10

Item	Part Number	Qty	Part Description	General Description	Other Info	Repair Inst	Markets
170	N121003	1	CARRIAGE SA			No	QS
171	603390-00	8	SCREW			No	QS
172	397118-00	3	GUIDE			No	QS
173	153576-04	1	SCREW			No	QS
174	613497-00	1	THRUST PLATE			No	QS
177	N051244	2	BUMPER			No	QS
178	659919-00	1	SPRING			No	QS
179	612008-00	1	SCREW			No	QS
180	N056883	1	LOCK HANDLE			No	QS
181	330016-04	1	WASHER			No	QS
183	N095579	1	LEVER SA			No	QS
184	167785-00	1	SPRING			No	QS
185	N834068	1	PIN			No	QS
186	615851-00	1	BUSHING			No	QS
187	153797-00	1	BOLT			No	QS
188	N058315	2	SCREW.SPECIAL			No	QS
189	385946-00	2	WASHER SPRING			No	QS
190	098103-18	2	SCREW			No	QS
191	641484-00	2	PLATE			No	QS
192	153797-04	2	SCREW			No	QS
193	645746-00	2	BUSHING			No	QS
194	N075819	1	DUST PORT			No	QS
195	153451-00	1	BEARING THRUST			No	QS
200	621329-00	1	IDENTITY LABEL			No	QS
201	N174417	1	WARNING LABEL			No	QS
203	386780-00	2	BEARING			No	QS
204	NA230124	1	GUARD LOWER			No	QS
205	N020822	1	PLATE			No	QS
206	385915-01	8	SCREW			No	QS
207	N041973	1	PLATE			No	QS
208	146768-00	1	BUMPER			No	QS
209	N142523	1	LINK			No	QS

## Parts List DWS780 MITRE SAW 10

Item	Part Number	Qty	Part Description	General Description	Other Info	Repair Inst	Markets
210	145332-00	1	TERMINAL			No	QS
212	N390418	1	FSO KIT			No	QS
213	661454-00	1	SPRING			No	QS
214	148295-00	1	SLEEVE			No	QS
215	625825-00	2	ROLLER			No	QS
216	142273-00	2	RING			No	QS
217	394976-00	2	LABEL	WARNING		No	QS
218	146760-02	1	STUD			No	QS
219	153666-00	2	SCREW	set screw M8 x 8mm l		No	QS
221	145332-00	4	TERMINAL			No	QS
222	450212-00	1	TERMINAL			No	QS
223	395301-00	2	LABEL			No	QS
224	381028-08	2	BRUSH & LEAD			No	QS
225	395716-00	1	TERMINAL			No	QS
226	153669-00	1	CORD CLAMP			No	QS
229	N066282	1	LEVER LOCK			No	QS
230	152852-00	1	BOLT			No	QS
231	386196-00	1	SPRING			No	QS
232	392131-00	1	KNOB			No	QS
233	N033994	1	CONTROL MODULE SA			No	QS
234	622950-00	1	LEAD SA			No	QS
236	618159-00	1	LEAD SA			No	QS
237	393520-00	1	TERMINAL BLOCK			No	QS
238	388414-01	1	BUSH			No	QS
239	147734-06	1	DUSTBAG			No	QS
240	630065-00	1	CLAMP SA			No	QS
241	N482412	1	PLATE			No	QS
243	N390418	1	FSO KIT			No	QS
245	330019-03	2	SCREW			No	QS
247	N058314	4	SCREW			No	QS
248	N043046	1	PAWL			No	QS
250	330019-14	1	SCREW			No	QS



## Parts List DWS780 MITRE SAW 10

Item	Part Number	Qty	Part Description	General Description	Other Info	Repair Inst	Markets
253	609468-00	1	PAD			No	QS
255	863259-00	1	PROTECTOR			No	QS
800	429698-00	1	GREASE	BD-L 2		No	QS
800	93488-00	1	GREASE			No	QS
837	559626-99	1	S.T.SQUARE			No	QS
856	N114019	1	SCREW KIT			No	QS